



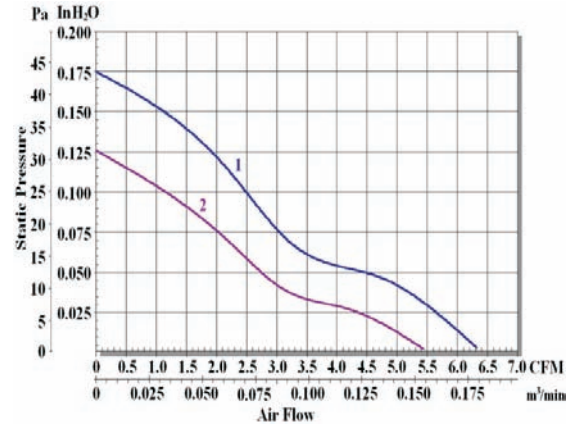
40x40x10mm

AD40-10T Series

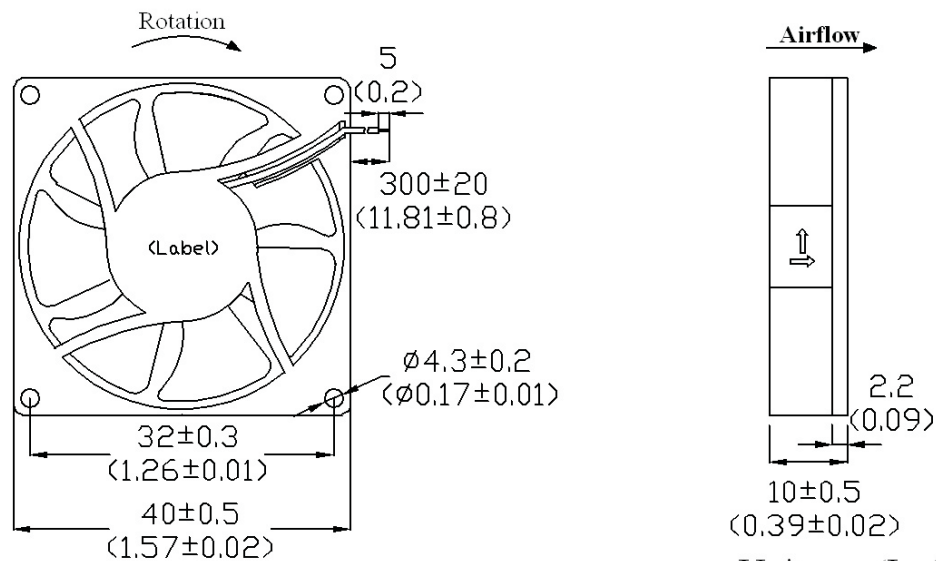
DC Axial Fan

Specification:

- **Air Flow** : 5.4 ~ 6.3 CFM
- **Housing** : Thermoplastic PBT, UL94V-0
- **Impeller** : Thermoplastic PBT, UL94V-0
- **Bearing** : Ball or Sleeve
- **Termination** : Lead Wire UL2468 AWG#26 or Equivalent
Red Wire Positive (+); Black Wire Negative (-);
Yellow Wire Function (3)
- **Operating Temperature** : -10°C to + 70°C for Sleeve Type
-20°C to + 80°C for Ball Type
- **Weight** : 13.7g
- **Function** : *Function type is optional*
P: Protection (Automatic restart when lock up removed)
A: Alarm
I: Inspect



Outline Dimension



Unit:mm(Inch)

Item Code	Rated Voltage	Rated Current (A)	Input Power (W)	Speed RPM	Max. Air Flow		Noise dB(A)
					CFM	m ³ /min	
AD05V40-10T-FPH-B7-N1	5V	0.18	0.9	7000	6.3	0.18	31
AD05V40-10T-FPH-B7-N2	5V	0.14	0.7	6000	5.4	0.15	26
AD12V40-10T-FPH-B7-N1	12V	0.10	1.2	7000	6.3	0.18	31
AD12V40-10T-FPH-B7-N2	12V	0.09	1.1	6000	5.4	0.15	26
AD24V40-10T-FPH-B7-N1	24V	0.06	1.4	7000	6.3	0.18	31



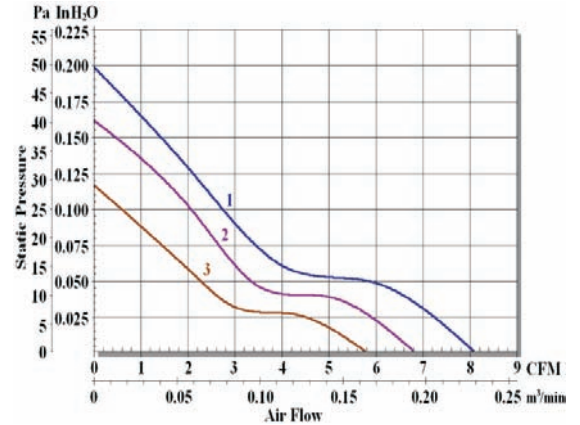
40x40x20mm

AD40-20T Series

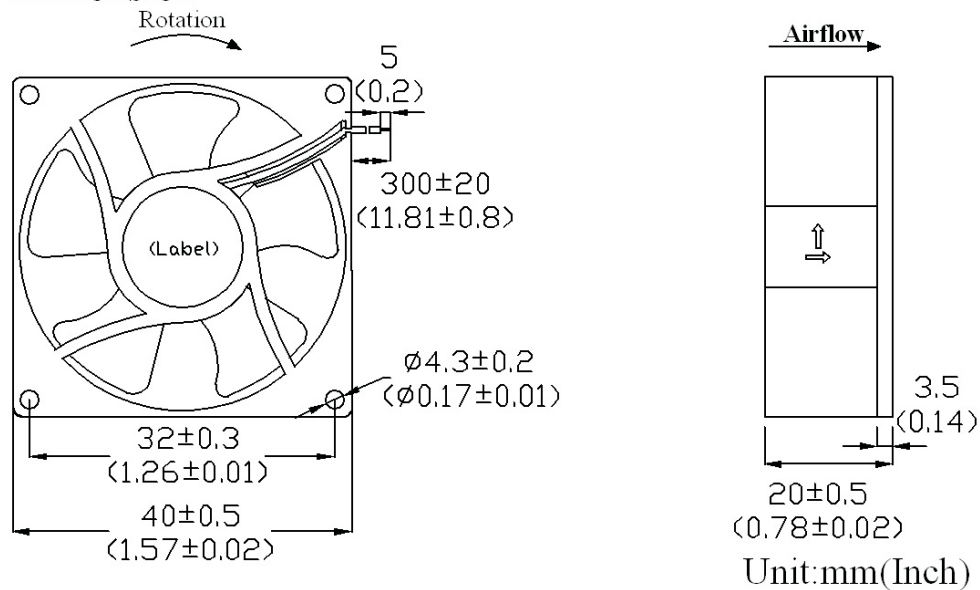
DC Axial Fan

Specification:

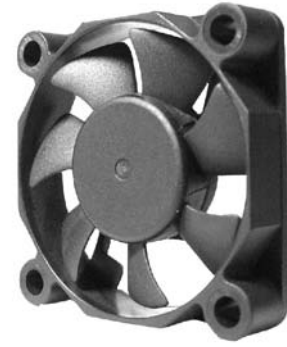
- **Air Flow** : 5.8 ~ 8.1 CFM
- **Housing** : Thermoplastic PBT, UL94V-0
- **Impeller** : Thermoplastic PBT, UL94V-0
- **Bearing** : Ball or Sleeve
- **Termination** : Lead Wire UL2468 AWG#26 or Equivalent
Red Wire Positive (+); Black Wire Negative (-);
Yellow Wire Function (3)
- **Operating Temperature** : -10°C to + 70°C for Sleeve Type
-20°C to + 80°C for Ball Type
- **Weight** : 24.3g
- **Function** : *Function type is optional*
P: Protection (Automatic restart when lock up removed)
A: Alarm
I: Inspect



Outline Dimension



Item Code	Rated Voltage	Rated Current (A)	Input Power (W)	Speed RPM	Max. Air Flow		Noise dB(A)
					CFM	m ³ /min	
AD05V40-20T-FPH-B5-N1	5V	0.16	0.8	7200	8.1	0.23	31
AD05V40-20T-FPH-B5-N2	5V	0.14	0.7	6200	6.8	0.19	27
AD05V40-20T-FPH-B5-N3	5V	0.10	0.5	5200	5.8	0.16	24
AD12V40-20T-FPH-B5-N1	12V	0.10	1.2	7200	8.1	0.23	31
AD12V40-20T-FPH-B5-N2	12V	0.07	0.9	6200	6.8	0.19	27
AD12V40-20T-FPH-B5-N3	12V	0.05	0.6	5200	5.8	0.16	24
AD24V40-20T-FPH-B5-N1	24V	0.06	1.5	7200	8.1	0.23	31



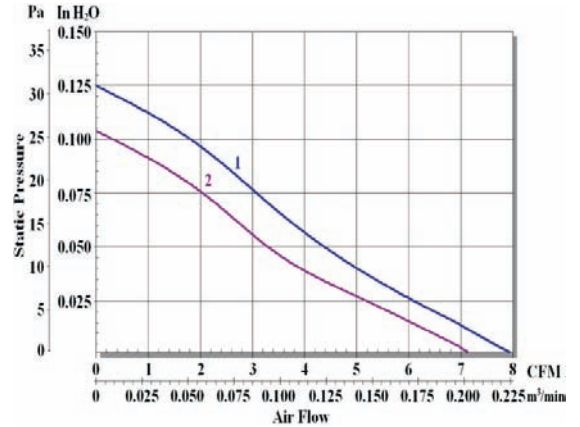
AD45-10T Series

DC Axial Fan

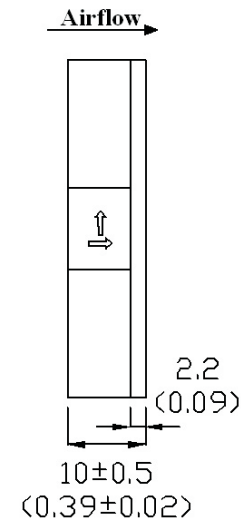
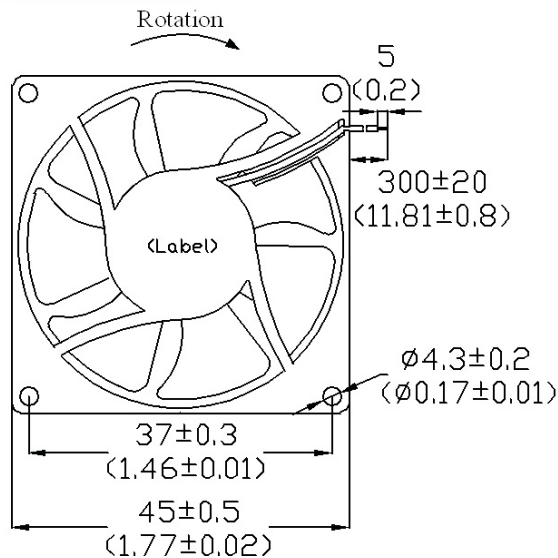
45x45x10mm

Specification:

- **Air Flow** : 7 ~ 8 CFM
- **Housing** : Thermoplastic PBT, UL94V-0
- **Impeller** : Thermoplastic PBT, UL94V-0
- **Bearing** : Ball or Sleeve
- **Termination** : Lead Wire UL2468 AWG#26 or Equivalent
Red Wire Positive (+); Black Wire Negative (-);
Yellow Wire Function (3)
- **Operating Temperature** : -10°C to + 70°C for Sleeve Type
-20°C to + 80°C for Ball Type
- **Weight** : 14.7g
- **Function** : *Function type is optional*
P: Protection (Automatic restart when lock up removed)
A: Alarm
I: Inspect



Outline Dimension



Unit:mm(Inch)

Item Code	Rated Voltage	Rated Current (A)	Input Power (W)	Speed RPM	Max. Air Flow		Noise dB(A)
					CFM	m ³ /min	
AD05V45-10T-FPH-B7-N1	5V	0.19	1.0	6000	8	0.22	31
AD05V45-10T-FPH-B7-N2	5V	0.15	0.8	5000	7	0.20	28
AD12V45-10T-FPH-B7-N1	12V	0.11	1.3	6000	8	0.22	31
AD12V45-10T-FPH-B7-N2	12V	0.10	1.2	5000	7	0.20	28
AD24V45-10T-FPH-B7-N1	24V	0.06	1.5	6000	8	0.22	31



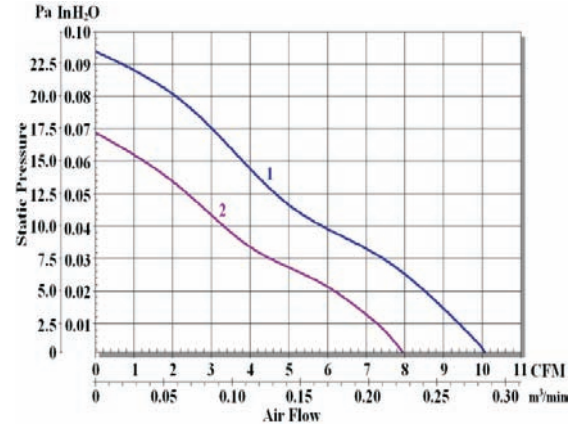
AD50-10T Series

DC Axial Fan

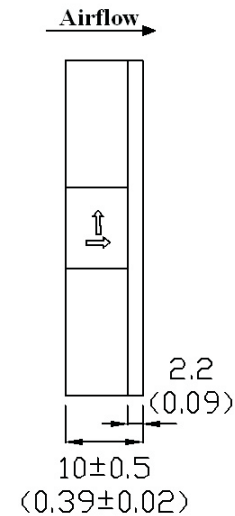
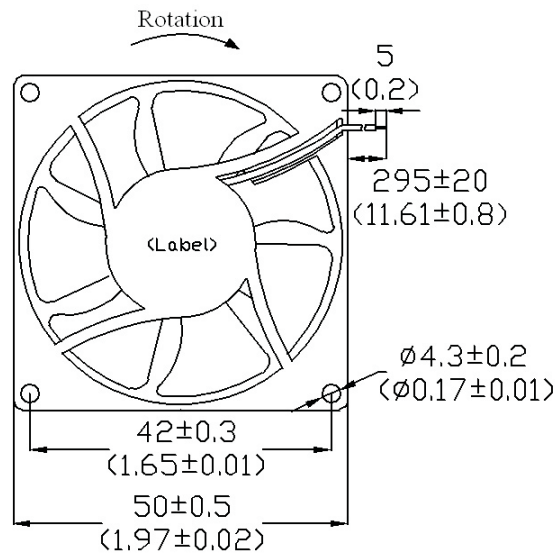
50x50x10mm

Specification:

- **Air Flow** : 8 ~ 10 CFM
- **Housing** : Thermoplastic PBT, UL94V-0
- **Impeller** : Thermoplastic PBT, UL94V-0
- **Bearing** : Ball or Sleeve
- **Termination** : Lead Wire UL2468 AWG#26 or Equivalent
Red Wire Positive (+); Black Wire Negative (-);
Yellow Wire Function (3)
- **Operating Temperature** : -10°C to + 70°C for Sleeve Type
-20°C to + 80°C for Ball Type
- **Weight** : 15.3g
- **Function** : *Function type is optional*
P: Protection (Automatic restart when lock up removed)
A: Alarm
I: Inspect



Outline Dimension



Unit:mm(Inch)

Item Code	Rated Voltage	Rated Current (A)	Input Power (W)	Speed RPM	Max. Air Flow		Noise dB(A)
					CFM	m ³ /min	
AD05V50-10T-FPH-B7-N1	5V	0.20	1.0	5000	10	0.28	30
AD05V50-10T-FPH-B7-N2	5V	0.16	0.8	4000	8	0.23	24
AD12V50-10T-FPH-B7-N1	12V	0.11	1.3	5000	10	0.28	30
AD12V50-10T-FPH-B7-N2	12V	0.10	1.2	4000	8	0.23	24
AD24V50-10T-FPH-B7-N1	24V	0.07	1.7	5000	10	0.28	30



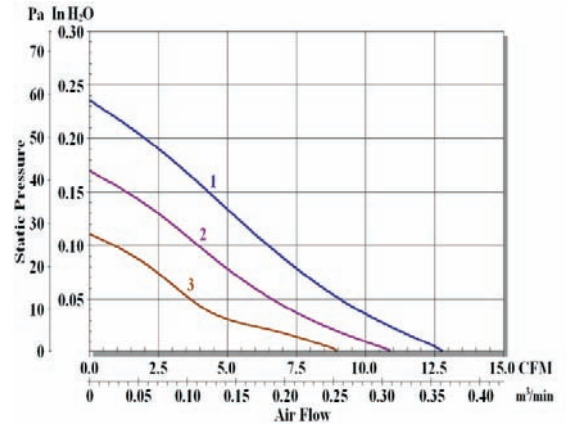
AD52-15T Series

DC Axial Fan

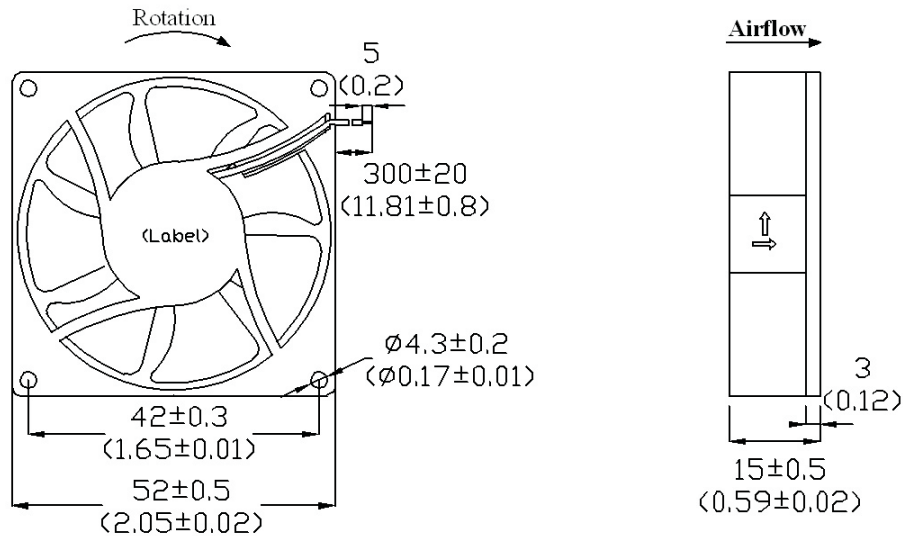
52x52x15mm

Specification:

- **Air Flow** : 9 ~ 13 CFM
- **Housing** : Thermoplastic PBT, UL94V-0
- **Impeller** : Thermoplastic PBT, UL94V-0
- **Bearing** : Ball or Sleeve
- **Termination** : Lead Wire UL2468 AWG#26 or Equivalent
Red Wire Positive (+); Black Wire Negative (-);
Yellow Wire Function (3)
- **Operating Temperature** : -10°C to + 70°C for Sleeve Type
-20°C to + 80°C for Ball Type
- **Weight** : 33.6g
- **Function** : *Function type is optional*
P: Protection (Automatic restart when lock up removed)
A: Alarm
I: Inspect



Outline Dimension



Unit:mm(Inch)

Item Code	Rated Voltage	Rated Current (A)	Input Power (W)	Speed RPM	Max. Air Flow		Noise dB(A)
					CFM	m ³ /min	
AD05V52-15T-FPH-B7-N1	5V	0.21	1.1	6000	13	0.36	38
AD05V52-15T-FPH-B7-N2	5V	0.15	0.8	5000	11	0.31	32
AD05V52-15T-FPH-B7-N3	5V	0.10	0.5	4000	9	0.25	26
AD12V52-15T-FPH-B7-N1	12V	0.11	1.4	6000	13	0.36	38
AD12V52-15T-FPH-B7-N2	12V	0.09	1.1	5000	11	0.31	32
AD12V52-15T-FPH-B7-N3	12V	0.07	0.8	4000	9	0.25	26
AD24V52-15T-FPH-B7-N1	24V	0.06	1.5	6000	13	0.36	38
AD24V52-15T-FPH-B7-N2	24V	0.05	1.2	5000	11	0.31	32



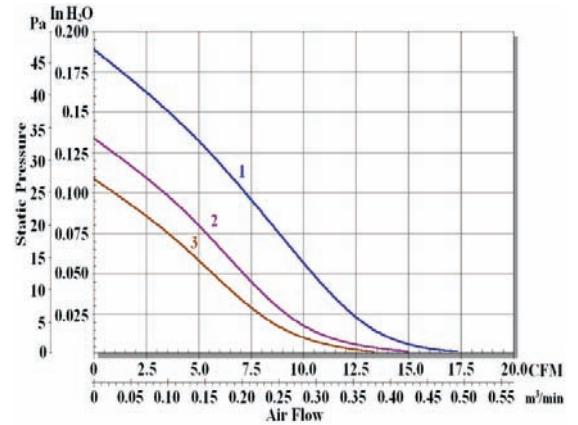
AD60-15T Series

DC Axial Fan

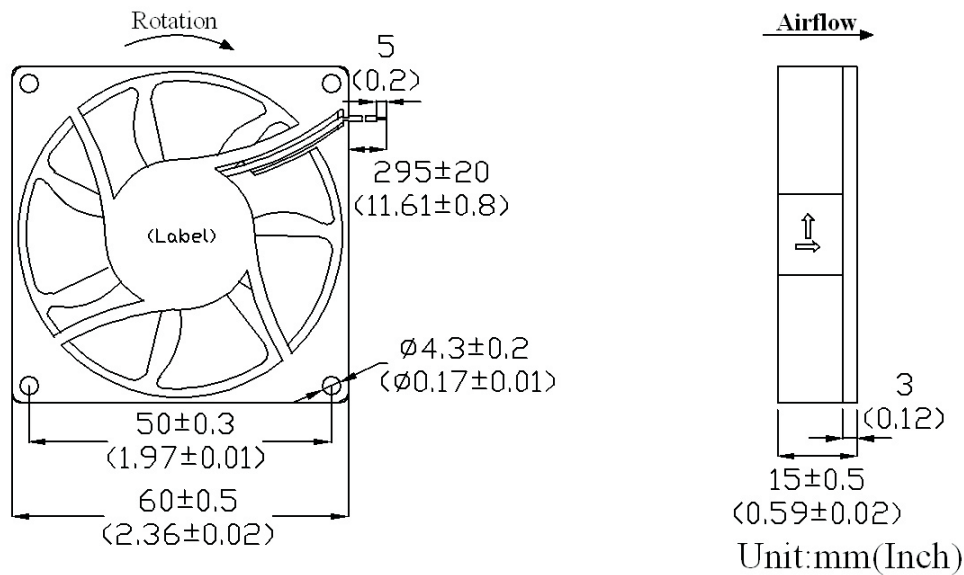
60x60x15mm

Specification:

- **Air Flow** : 13 ~ 17 CFM
- **Housing** : Thermoplastic PBT, UL94V-0
- **Impeller** : Thermoplastic PBT, UL94V-0
- **Bearing** : Ball or Sleeve
- **Termination** : Lead Wire UL2468 AWG#26 or Equivalent
Red Wire Positive (+); Black Wire Negative (-);
Yellow Wire Function (3)
- **Operating Temperature** : -10°C to + 70°C for Sleeve Type
-20°C to + 80°C for Ball Type
- **Weight** : 38.2g
- **Function** : *Function type is optional*
P: Protection (Automatic restart when lock up removed)
A: Alarm
I: Inspect



Outline Dimension



Item Code	Rated Voltage	Rated Current (A)	Input Power (W)	Speed RPM	Max. Air Flow		Noise dB(A)
					CFM	m ³ /min	
AD05V60-15T-FPH-B7-N1	5V	0.28	1.4	4500	17	0.49	37
AD05V60-15T-FPH-B7-N2	5V	0.18	0.9	3900	15	0.42	32
AD05V60-15T-FPH-B7-N3	5V	0.13	0.7	3300	13	0.37	28
AD12V60-15T-FPH-B7-N1	12V	0.13	1.6	4500	17	0.49	37
AD12V60-15T-FPH-B7-N2	12V	0.09	1.1	3900	15	0.42	32
AD12V60-15T-FPH-B7-N3	12V	0.07	0.9	3300	13	0.37	28
AD24V60-15T-FPH-B7-N1	24V	0.08	1.9	4500	17	0.49	37
AD24V60-15T-FPH-B7-N2	24V	0.06	1.4	3900	15	0.42	32



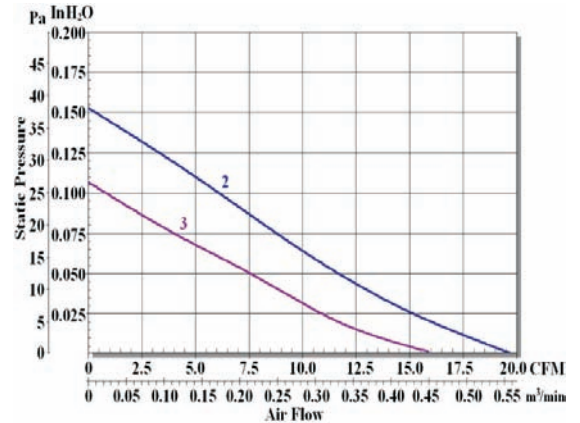
60x60x20mm

AD60-20T Series

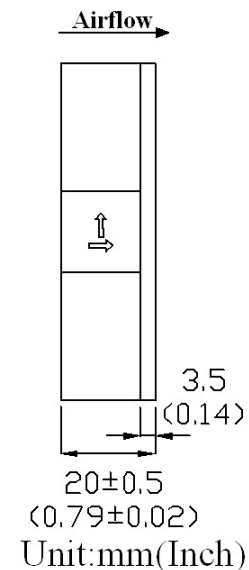
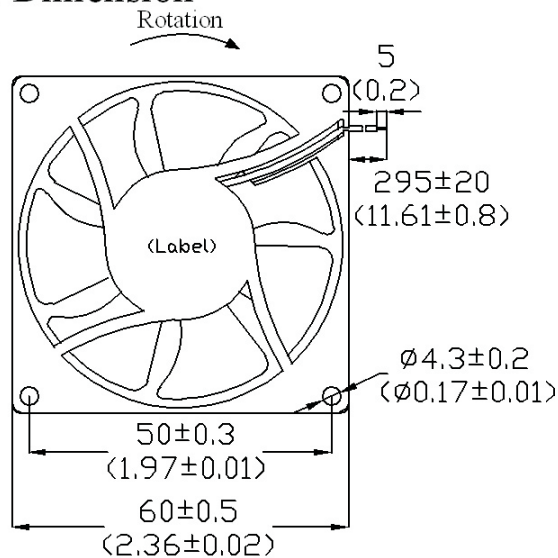
DC Axial Fan

Specification:

- **Air Flow** : 16 ~ 20 CFM
- **Housing** : Thermoplastic PBT, UL94V-0
- **Impeller** : Thermoplastic PBT, UL94V-0
- **Bearing** : Ball or Sleeve
- **Termination** : Lead Wire UL2468 AWG#26 or Equivalent
Red Wire Positive (+); Black Wire Negative (-);
Yellow Wire Function (3)
- **Operating Temperature** : -10°C to + 70°C for Sleeve Type
-20°C to + 80°C for Ball Type
- **Weight** : 44g
- **Function** : *Function type is optional*
P: Protection (Automatic restart when lock up removed)
A: Alarm
I: Inspect



Outline Dimension



Item Code	Rated Voltage	Rated Current (A)	Input Power (W)	Speed RPM	Max. Air Flow		Noise dB(A)
					CFM	m ³ /min	
AD12V60-20T-FPH-B7-N2	12V	0.12	1.5	4300	20	0.56	35
AD12V60-20T-FPH-B7-N3	12V	0.08	1.0	3500	16	0.46	28
AD24V60-20T-FPH-B7-N2	24V	0.07	1.7	4300	20	0.56	35
AD24V60-20T-FPH-B7-N3	24V	0.04	1.0	3500	16	0.46	28



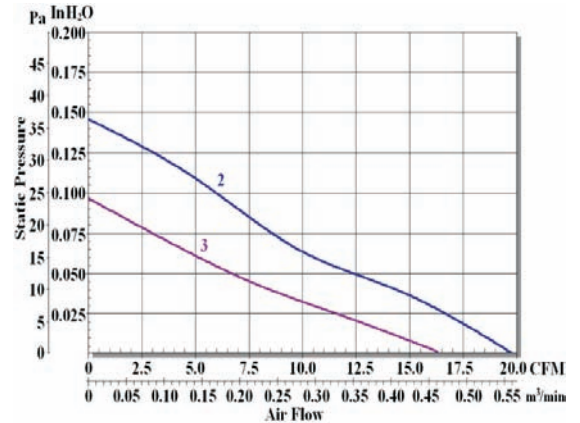
60x60x25mm

AD60-25T Series

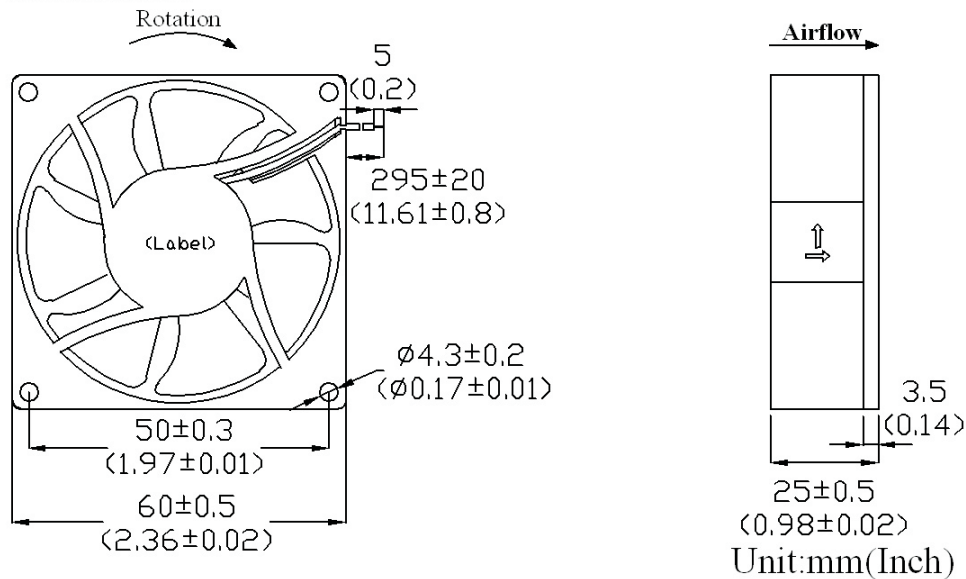
DC Axial Fan

Specification:

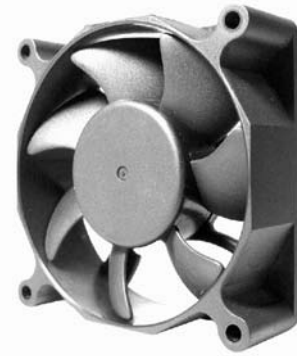
- **Air Flow** : 16 ~ 20 CFM
- **Housing** : Thermoplastic PBT, UL94V-0
- **Impeller** : Thermoplastic PBT, UL94V-0
- **Bearing** : Ball or Sleeve
- **Termination** : Lead Wire UL2468 AWG#26 or Equivalent
Red Wire Positive (+); Black Wire Negative (-);
Yellow Wire Function (3)
- **Operating Temperature** : -10°C to + 70°C for Sleeve Type
-20°C to + 80°C for Ball Type
- **Weight** : 49g
- **Function** : *Function type is optional*
P: Protection (Automatic restart when lock up removed)
A: Alarm
I: Inspect



Outline Dimension



Item Code	Rated Voltage	Rated Current (A)	Input Power (W)	Speed RPM	Max. Air Flow		Noise dB(A)
					CFM	m ³ /min	
AD12V60-25T-FPH-B7-N2	12V	0.12	1.5	4300	20	0.56	35
AD12V60-25T-FPH-B7-N3	12V	0.08	1.0	3500	16	0.46	28
AD24V60-25T-FPH-B7-N2	24V	0.07	1.7	4300	20	0.56	35
AD24V60-25T-FPH-B7-N3	24V	0.04	1.0	3500	16	0.46	28



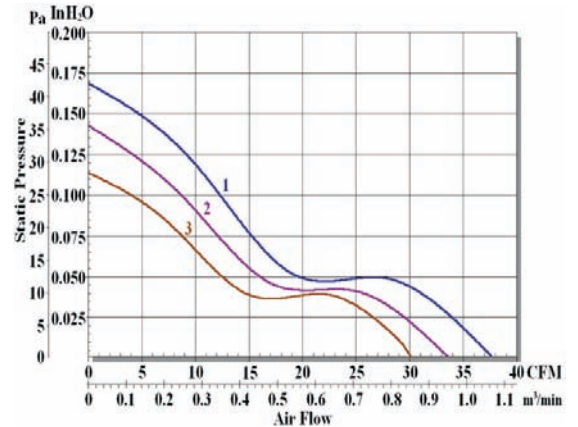
80x80x25mm

AD80-25T Series

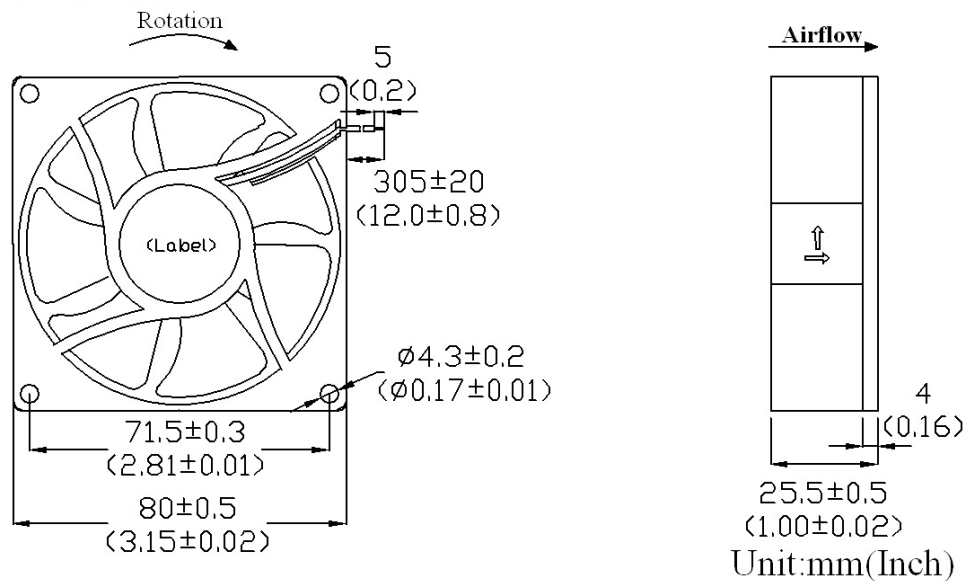
DC Axial Fan

Specification:

- **Air Flow** : 30 ~ 37 CFM
- **Housing** : Thermoplastic PBT, UL94V-0
- **Impeller** : Thermoplastic PBT, UL94V-0
- **Bearing** : Ball or Sleeve
- **Termination** : Lead Wire UL 1007 AWG#24 or Equivalent
Red Wire Positive (+); Black Wire Negative (-);
Yellow Wire Function (3)
- **Operating Temperature** : -10°C to + 70°C for Sleeve Type
-20°C to + 80°C for Ball Type
- **Weight** : 100g
- **Function** : *Function type is optional*
P: Protection (Automatic restart when lock up removed)
A: Alarm
I: Inspect



Outline Dimension



Item Code	Rated Voltage	Rated Current (A)	Input Power (W)	Speed RPM	Max. Air Flow		Noise dB(A)
					CFM	m ³ /min	
AD12V80-25T-FPH-B7-N1	12V	0.19	2.3	3200	37	1.06	37
AD12V80-25T-FPH-B7-N2	12V	0.14	1.7	2900	34	0.95	35
AD12V80-25T-FPH-B7-N3	12V	0.11	1.4	2600	30	0.86	31
AD24V80-25T-FPH-B7-N1	24V	0.10	2.4	3200	37	1.06	37
AD24V80-25T-FPH-B7-N2	24V	0.08	1.9	2900	34	0.95	35
AD24V80-25T-FPH-B7-N3	24V	0.07	1.7	2600	30	0.86	31
AD48V80-25T-FPH-B7-N1	48V	0.08	3.9	3200	37	1.06	37
AD48V80-25T-FPH-B7-N2	48V	0.07	3.4	2900	34	0.95	35
AD48V80-25T-FPH-B7-N3	48V	0.06	2.9	2600	30	0.86	31



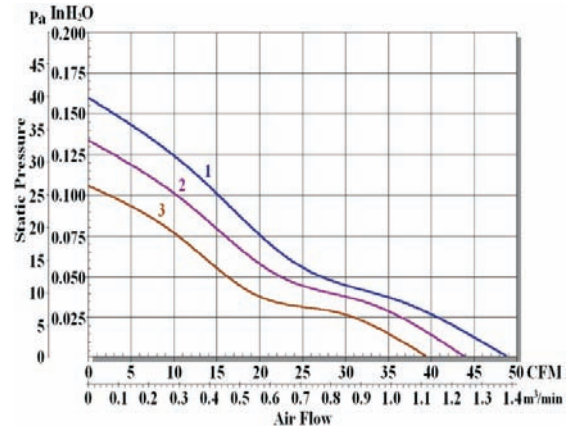
92x92x25mm

AD92-25T Series

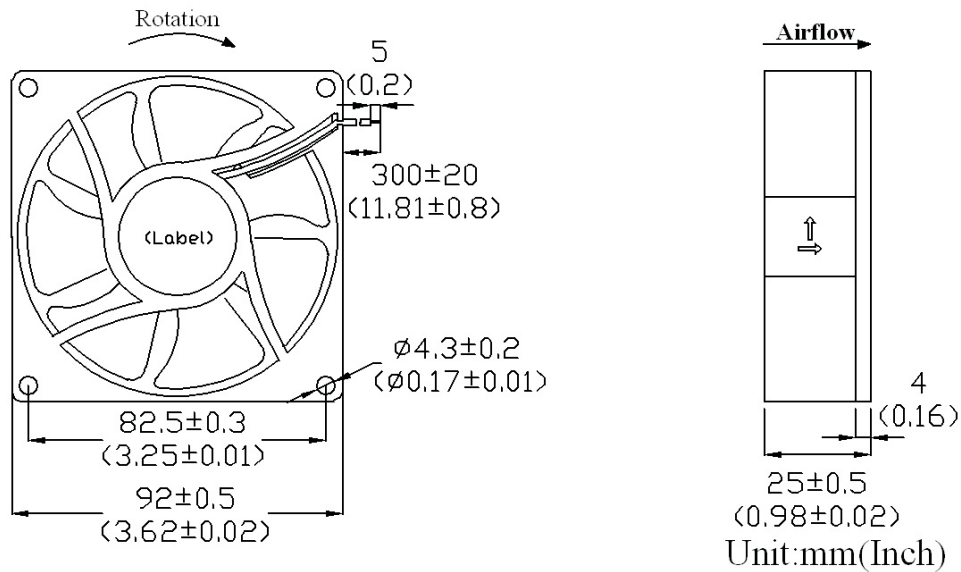
DC Axial Fan

Specification:

- **Air Flow** : 39 ~ 48 CFM
- **Housing** : Thermoplastic PBT, UL94V-0
- **Impeller** : Thermoplastic PBT, UL94V-0
- **Bearing** : Ball or Sleeve
- **Termination** : Lead Wire UL 1007 AWG#24 or Equivalent
Red Wire Positive (+); Black Wire Negative (-);
Yellow Wire Function (3)
- **Operating Temperature** : -10°C to + 70°C for Sleeve Type
-20°C to + 80°C for Ball Type
- **Weight** : 115g
- **Function** : *Function type is optional*
P: Protection (Automatic restart when lock up removed)
A: Alarm
I: Inspect



Outline Dimension



Item Code	Rated Voltage	Rated Current (A)	Input Power (W)	Speed RPM	Max. Air Flow		Noise dB(A)
					CFM	m ³ /min	
AD12V92-25T-FPH-B7-N1	12V	0.20	2.4	2900	48	1.37	37
AD12V92-25T-FPH-B7-N2	12V	0.15	1.8	2700	44	1.25	35
AD12V92-25T-FPH-B7-N3	12V	0.12	1.5	2400	39	1.11	32
AD24V92-25T-FPH-B7-N1	24V	0.11	2.6	2900	48	1.37	37
AD24V92-25T-FPH-B7-N2	24V	0.09	2.2	2700	44	1.25	35
AD24V92-25T-FPH-B7-N3	24V	0.08	1.9	2400	39	1.11	32
AD48V92-25T-FPH-B7-N1	48V	0.09	4.3	2900	48	1.37	37
AD48V92-25T-FPH-B7-N2	48V	0.08	3.9	2700	44	1.25	35
AD48V92-25T-FPH-B7-N3	48V	0.07	3.4	2400	39	1.11	32



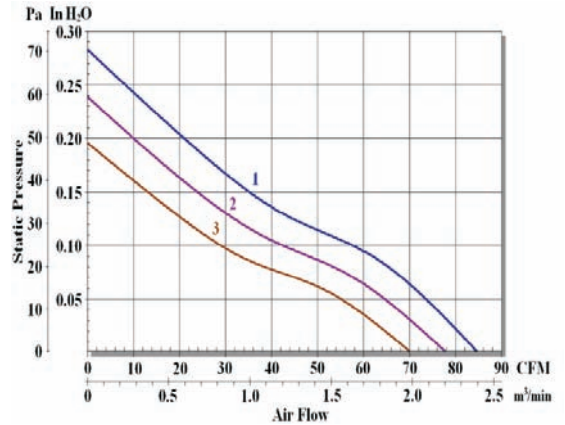
AD120-25T Series

DC Axial Fan

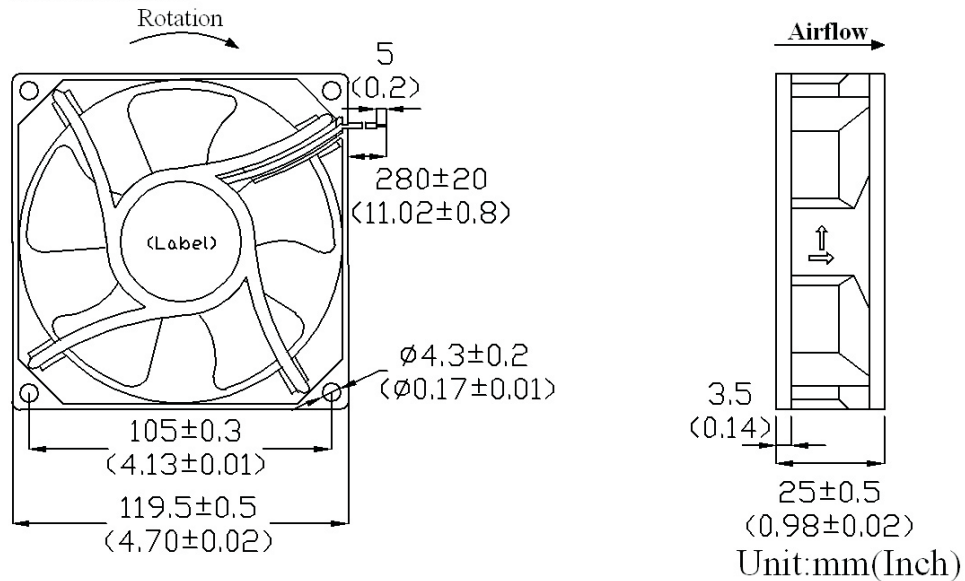
120x120x25mm

Specification:

- **Air Flow** : 70 ~ 84 CFM
- **Housing** : Thermoplastic PBT, UL94V-0
- **Impeller** : Thermoplastic PBT, UL94V-0
- **Bearing** : Ball or Sleeve
- **Termination** : Lead Wire UL 1007 AWG#24 or Equivalent
Red Wire Positive (+); Black Wire Negative (-);
Yellow Wire Function (3)
- **Operating Temperature** : -10°C to + 70°C for Sleeve Type
-20°C to + 80°C for Ball Type
- **Weight** : 135g
- **Function** :
P: Protection (Automatic restart when lock up removed)
A: Alarm (optional)



Outline Dimension



Item Code	Rated Voltage	Rated Current (A)	Input Power (W)	Speed RPM	Max. Air Flow		Noise dB(A)
					CFM	m ³ /min	
AD12V120-25T-FPH-B5-N1P	12V	0.36	4.3	3200	84	2.39	48
AD12V120-25T-FPH-B5-N2P	12V	0.29	3.5	2900	78	2.20	45
AD12V120-25T-FPH-B5-N3P	12V	0.20	2.4	2600	70	1.97	42
AD24V120-25T-FPH-B5-N1P	24V	0.19	4.7	3200	84	2.39	48
AD24V120-25T-FPH-B5-N2P	24V	0.15	3.6	2900	78	2.20	45
AD24V120-25T-FPH-B5-N3P	24V	0.12	2.9	2600	70	1.97	42
AD48V120-25T-FPH-B5-N1P	48V	0.11	5.3	3200	84	2.39	48
AD48V120-25T-FPH-B5-N2P	48V	0.08	3.8	2900	78	2.20	45
AD48V120-25T-FPH-B5-N3P	48V	0.07	3.4	2600	70	1.97	42



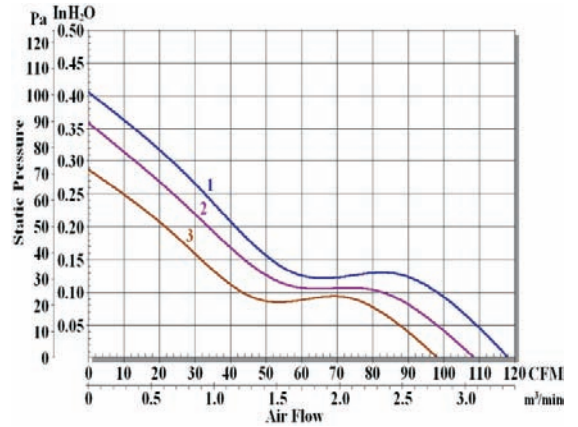
AD120-38T Series

DC Axial Fan

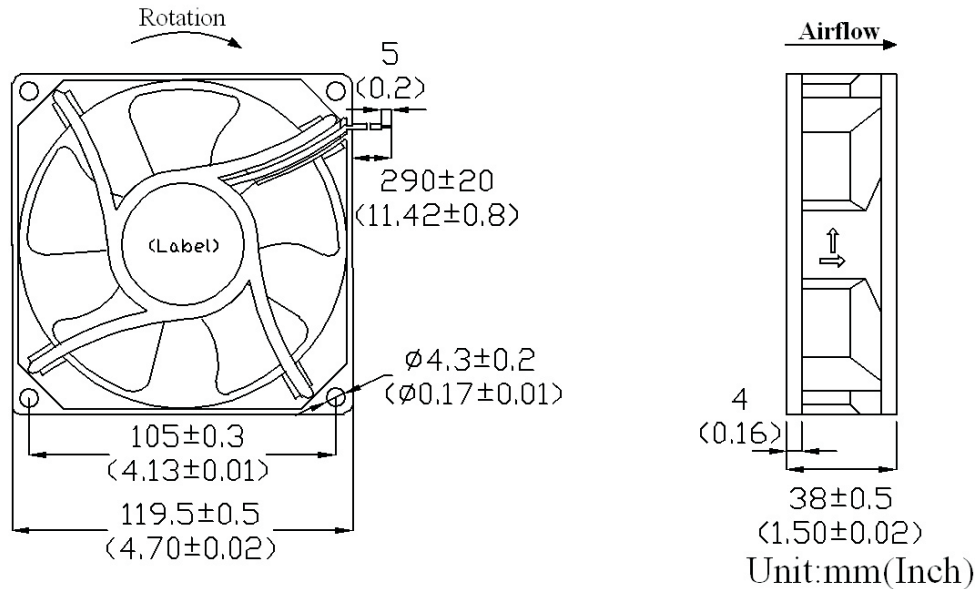
120x120x38mm

Specification:

- **Air Flow** : 98 ~ 115 CFM
- **Housing** : Thermoplastic PBT, UL94V-0
- **Impeller** : Thermoplastic PBT, UL94V-0
- **Bearing** : Ball or Sleeve
- **Termination** : Lead Wire UL 1007 AWG#24 or Equivalent
Red Wire Positive (+); Black Wire Negative (-);
Yellow Wire Function (3)
- **Operating Temperature** : -10°C to + 70°C for Sleeve Type
-20°C to + 80°C for Ball Type
- **Weight** : 320g
- **Function** :
P: Protection (Automatic restart when lock up removed)
A: Alarm (optional)



Outline Dimension



Item Code	Rated Voltage	Rated Current (A)	Input Power (W)	Speed RPM	Max. Air Flow		Noise dB(A)
					CFM	m ³ /min	
AD12V120-38T-FPH-B5-N1P	12V	0.90	11.0	3200	118	3.33	50
AD12V120-38T-FPH-B5-N2P	12V	0.67	8.0	2900	108	3.06	47
AD12V120-38T-FPH-B5-N3P	12V	0.50	6.0	2600	98	2.78	43
AD24V120-38T-FPH-B5-N1P	24V	0.42	10.0	3200	118	3.33	50
AD24V120-38T-FPH-B5-N2P	24V	0.32	7.7	2900	108	3.06	47
AD24V120-38T-FPH-B5-N3P	24V	0.24	5.8	2600	98	2.78	43
AD48V120-38T-FPH-B5-N1P	48V	0.21	10.0	3200	118	3.33	50
AD48V120-38T-FPH-B5-N2P	48V	0.16	7.7	2900	108	3.06	47
AD48V120-38T-FPH-B5-N3P	48V	0.13	6.3	2600	98	2.78	43



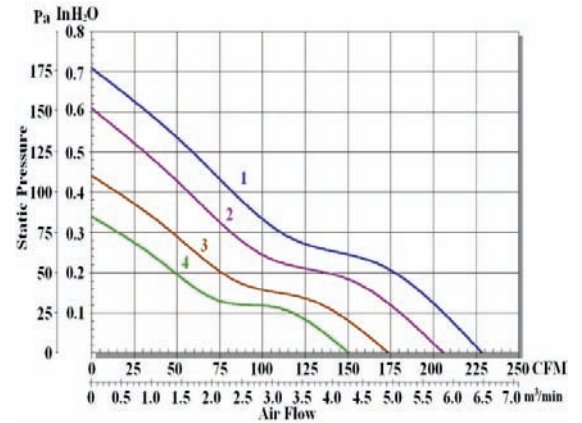
AD150-51T Series

DC Axial Fan

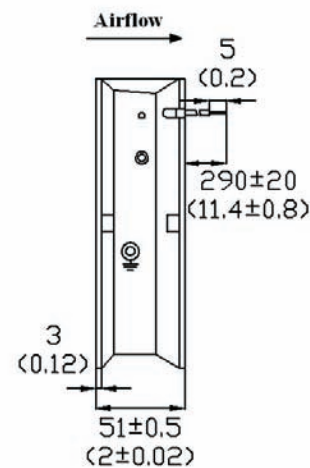
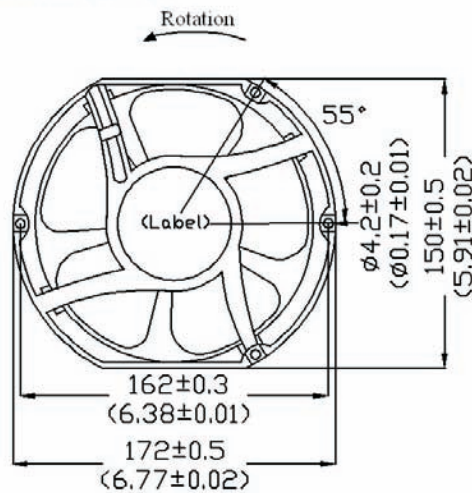
150x172x51mm

Specification:

- **Air Flow** : 150 ~ 229 CFM
- **Housing** : Die-Cast Aluminum, Painted Black
- **Impeller** : Fiberglass- Reinforced Polycarbonate
- **Bearing** : Ball or Sleeve
- **Termination** : Lead Wire UL 1007 AWG#22 or Equivalent
Red Wire Positive (+); Black Wire Negative (-);
Yellow Wire Function (3)
- **Operating Temperature** : -20°C to + 80°C
- **Weight** : 792g
- **Function** :
P: Protection (Automatic restart when lock up removed)
A: Alarm (optional)



Outline Dimension



Unit:mm(Inch)

Item Code	Rated Voltage	Rated Current (A)	Input Power (W)	Speed RPM	Max. Air Flow		Noise dB(A)
					CFM	m³/min	
AD12V150-51T-FPG-B5-N1P	12V	1.90	23	3400	229	6.5	58
AD12V150-51T-FPG-B5-N2P	12V	1.40	17	3000	206	5.8	56
AD12V150-51T-FPG-B5-N3P	12V	0.86	11	2600	174	4.9	52
AD12V150-51T-FPG-B5-N4P	12V	0.60	7	2200	150	4.2	46
AD24V150-51T-FPG-B5-N1P	24V	0.90	22	3400	229	6.5	58
AD24V150-51T-FPG-B5-N2P	24V	0.65	16	3000	206	5.8	56
AD24V150-51T-FPG-B5-N3P	24V	0.43	11	2600	174	4.9	52
AD24V150-51T-FPG-B5-N4P	24V	0.30	7	2200	150	4.2	46
AD48V150-51T-FPG-B5-N1P	48V	0.52	25	3400	229	6.5	58
AD48V150-51T-FPG-B5-N2P	48V	0.40	19	3000	206	5.8	56
AD48V150-51T-FPG-B5-N3P	48V	0.28	13	2600	174	4.9	52
AD48V150-51T-FPG-B5-N4P	48V	0.19	9	2200	150	4.2	46